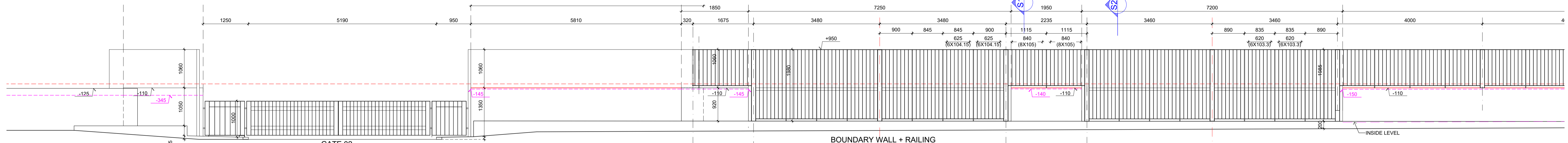
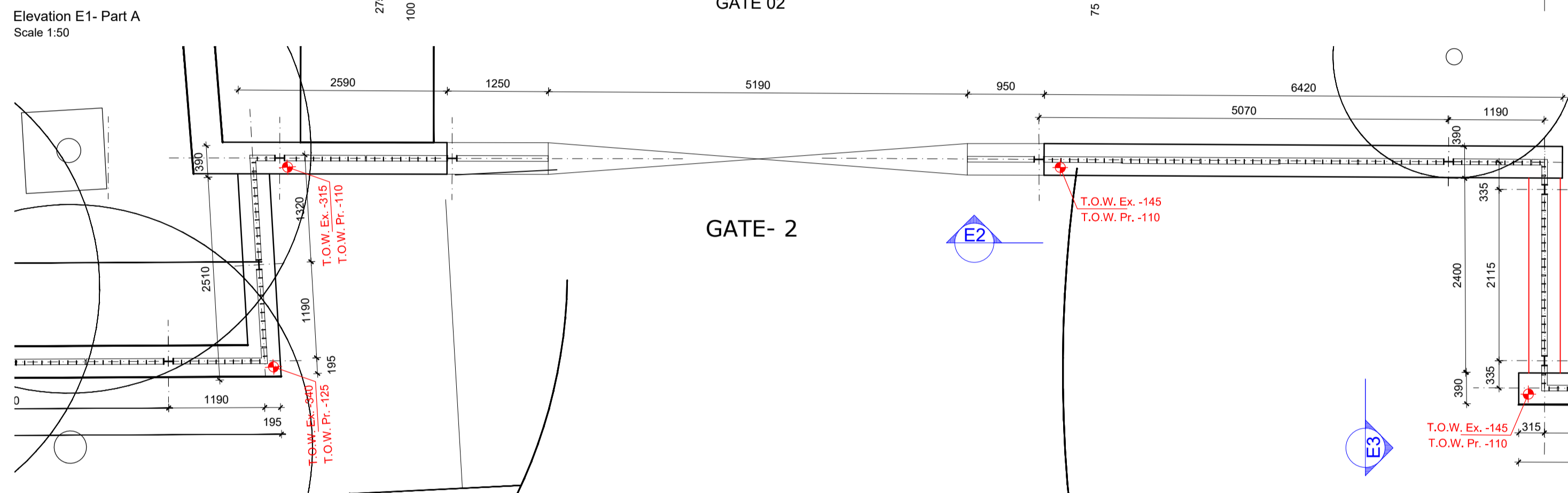


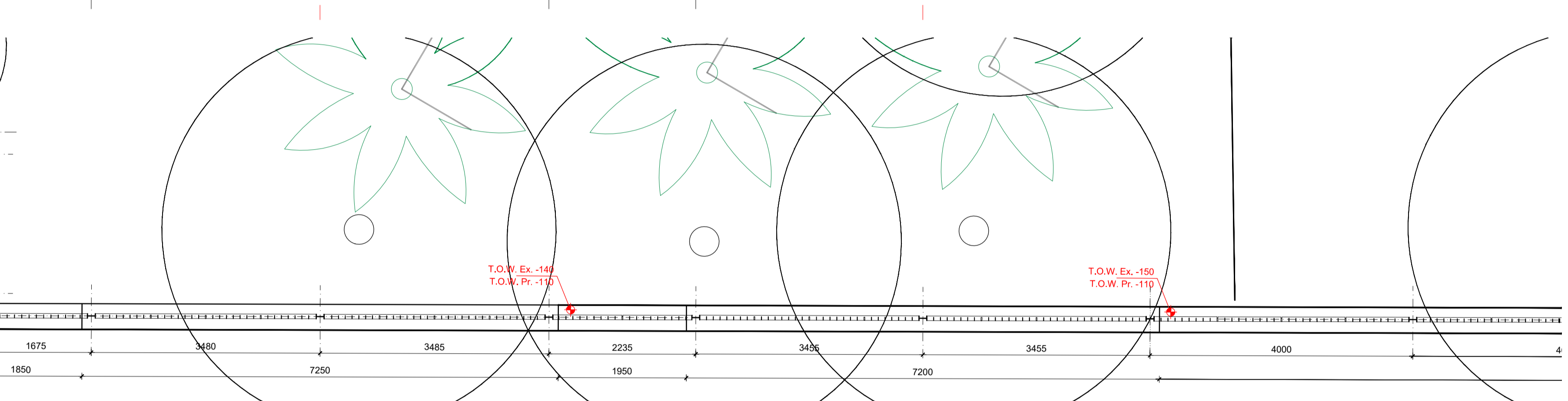
Overall Elevation E1
Scale 1:200



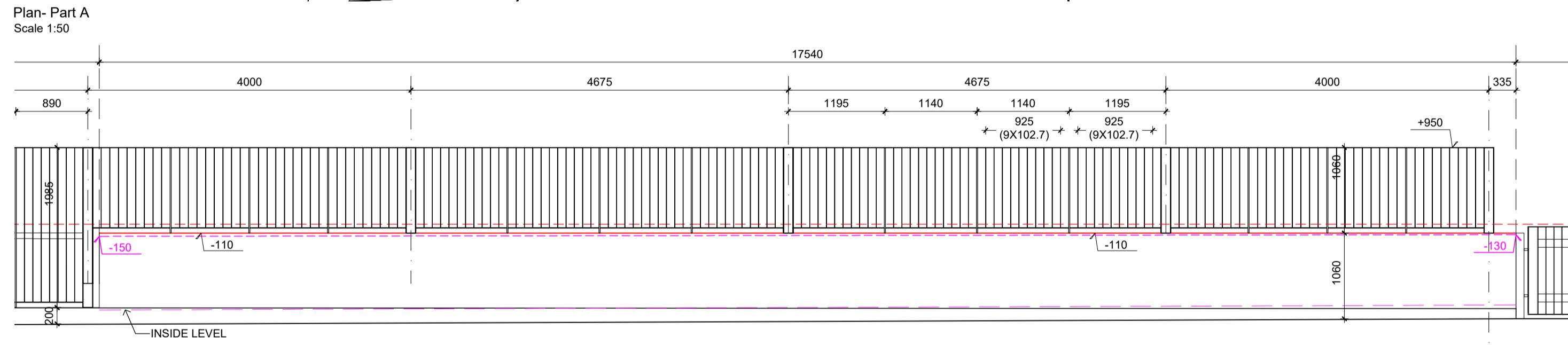
Key Plan
Scale 1:2000



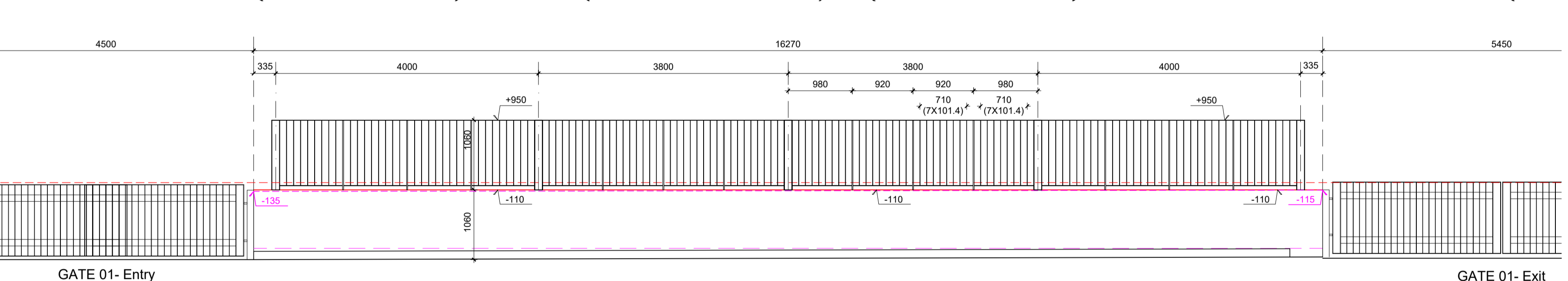
Elevation E1- Part A
Scale 1:50



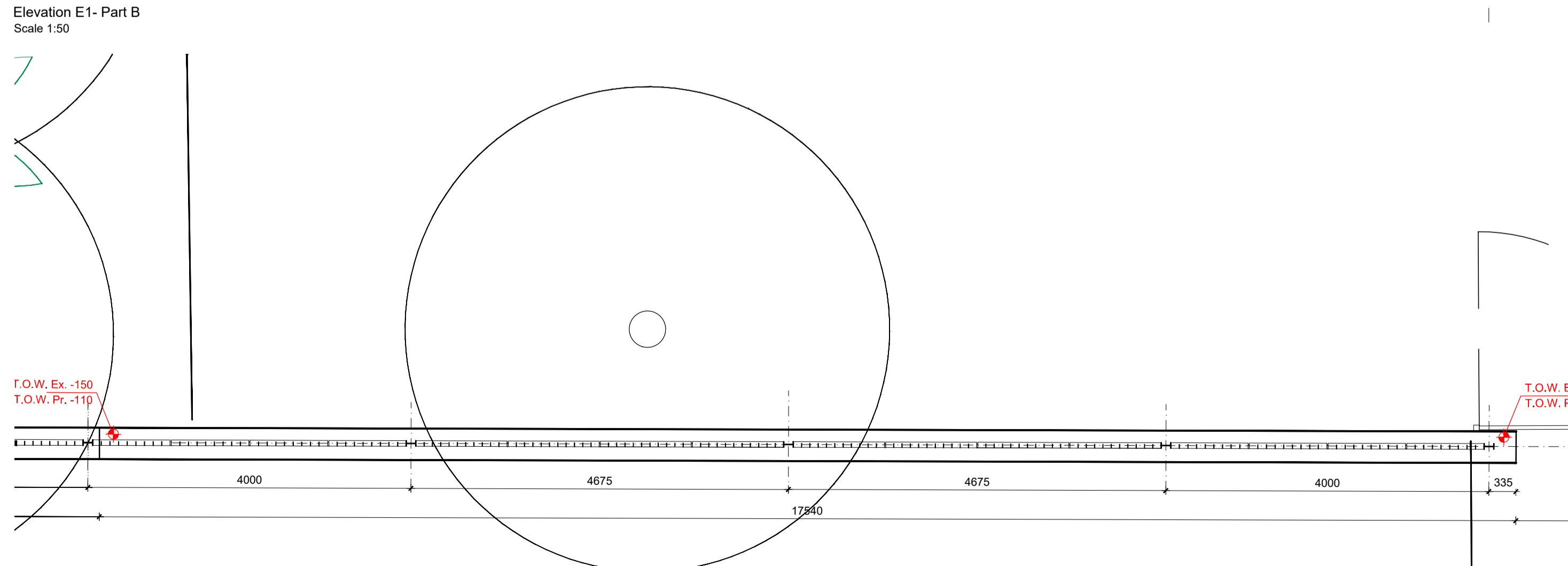
Boundary Wall + Railing
Scale 1:50



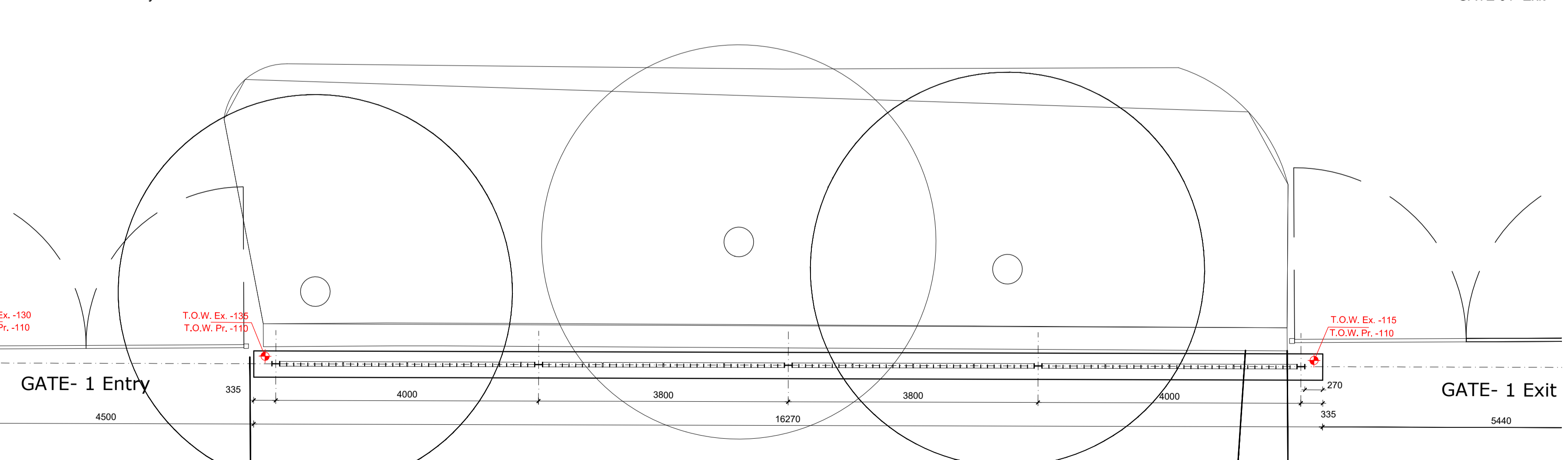
Plan- Part A
Scale 1:50



Plan- Part B
Scale 1:50



Elevation E1- Part B
Scale 1:50



Elevation E1- Part B
Scale 1:50



Plan- Part B
Scale 1:50



Plan- Part B
Scale 1:50